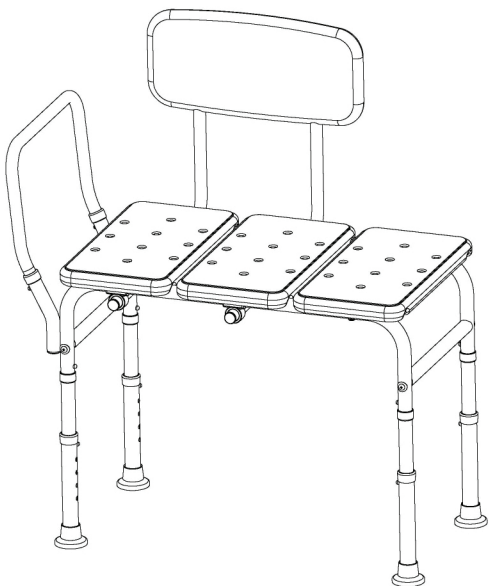


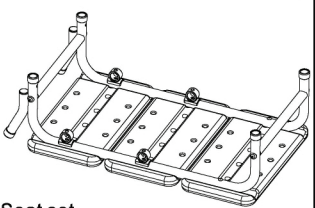
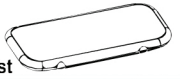

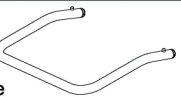
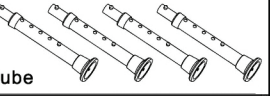
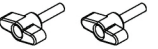
B281C

The Great Tool Free Transfer Bench

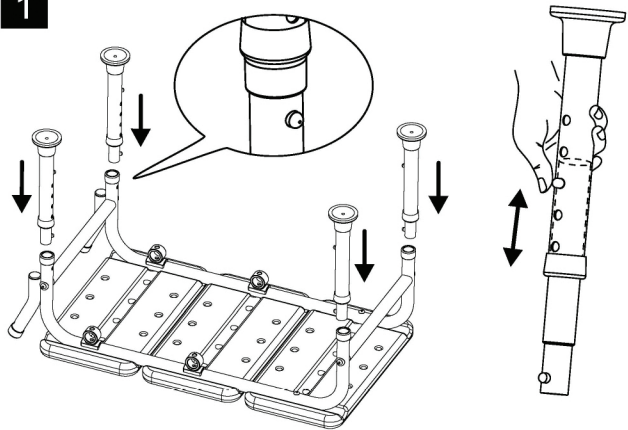


FDA CE



Parts	Qty
 Seat set	1
 Backrest	1
 Backrest tube	2
 Armrest tube	1
 Leg tube	4
 Screw	2

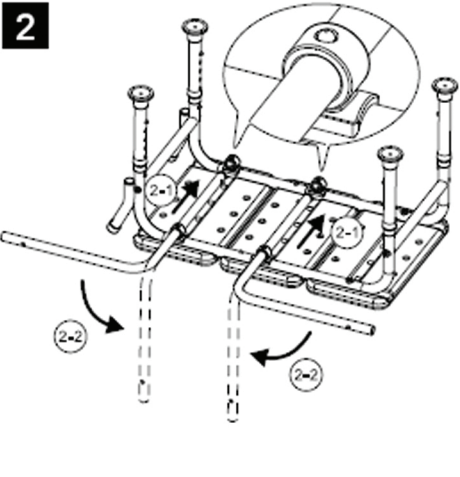
1



Insert the 4 leg tubes into seat set. (Caution: For secure installation, make sure the push button on each leg is fully engaged to the hub)

Height adjustment
Depress the push button and pull the lower leg to the desired length; ensure that the push button snaps through the latch hole. Repeat with remaining legs, so that all legs are adjusted to the desired length. The legs on the armrest side will typically need to be adjusted higher to create a level transfer surface when using in a tub.

2

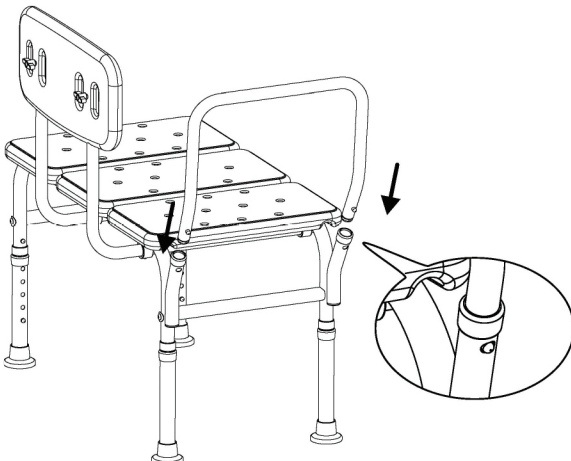


2-1 Insert backrest tubes into seat set.

2-2 Turn the tubes and make sure button on each tube is fully engaged to the hub.

2-3 Insert backrest tubes into backrest and screw them tightly.

3



Insert armrest tube into seat set and make sure button on each leg is fully engaged to the hub.

WARNING:

- DO NOT install or use this equipment without first reading and understanding this instruction sheet. If you are unable to understand the warnings, cautions or instructions, contact a healthcare professional, Invacare provider or technical personnel, before attempting to install this equipment - otherwise, injury or damage may occur.
- Before use, after any adjustments, repair or service make sure all attaching hardware is securely tightened - otherwise injury or damage may result.
- Check rubber tip, seat and back support panels for rips, tears, cracks or wear. If any of these conditions exist, replace rubber tips IMMEDIATELY.
- The transfer bench backrest and armrest MUST be installed before using the transfer bench.
- The seat arm is to be used to assist in sliding transfers and positioning it is NOT intended to support the total body weight of the user.

CLEANING INSTRUCTIONS :

Use a non-abrasive cloth and/or soft bristle brush with warm water and a mild commercial detergent and/or detergent disinfectant that is compatible and safe for use with aluminum and plastics. The Transfer Bench should be regularly wiped down to prevent build up. It can be done daily or every few days depending on the amount of use. Wiping down the Transfer Bench will keep it clean and prevent residue and buildup from affecting function.

WARRANTY:

blue Great Hygiene Products are warranted against manufacturer defect to the original user for a period of 13 months. Normal wear, abuse and misuse are not covered by warranty.

SKE Co LTD No. 71, Lane 54, Sec. 2, An-Ho Rd., Tainan 709, Taiwan
 Distributed by: Invacare Canada LP 570 Matheson Boulevard East #8, Mississauga, ON, L4Z 4G4 - 1-800-668-5324